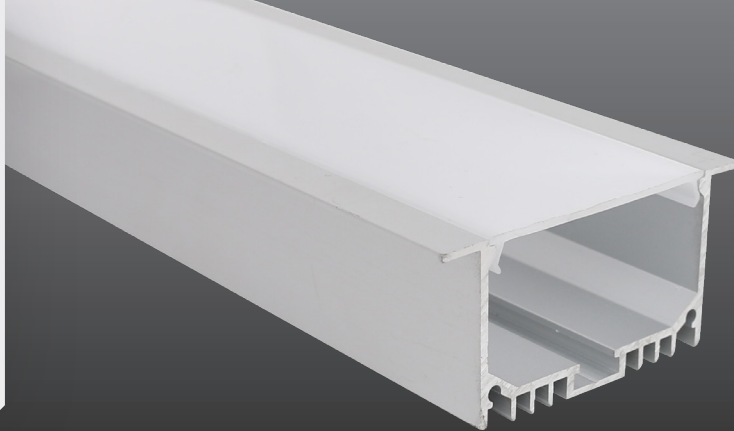




L I G H T



DYNAMIC RECESS 50MM



- Aluminium alloy: 6063
- Temper: T6
- Colour: Natural Anodised (GREY)
- UV Stable Diffuser (OPAL)

PRODUCT SPECIFICATIONS	DIMENSIONS	50(L)x32(H)mm
	FIXING	CLIPS
	WARRANTY	3 YEARS

